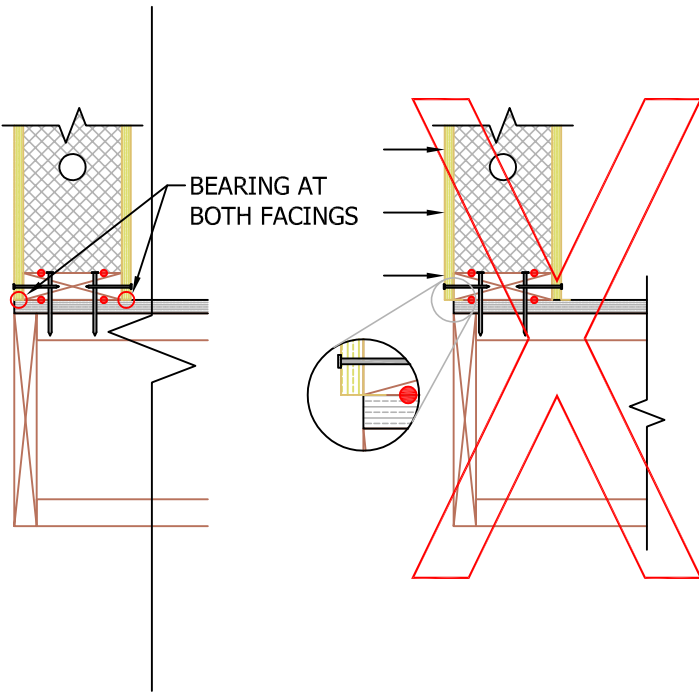
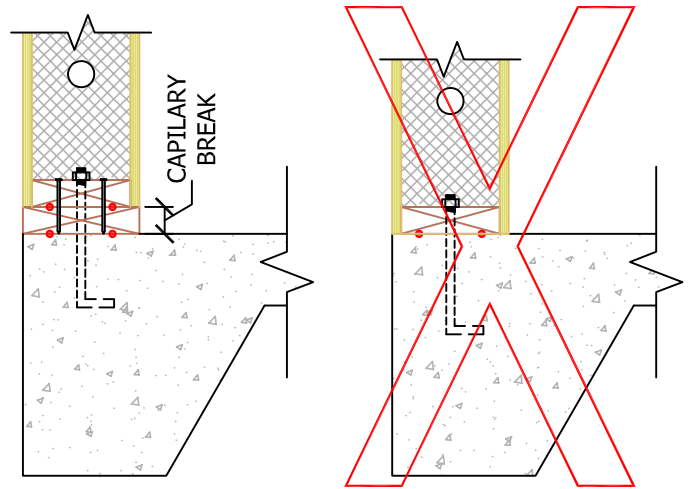


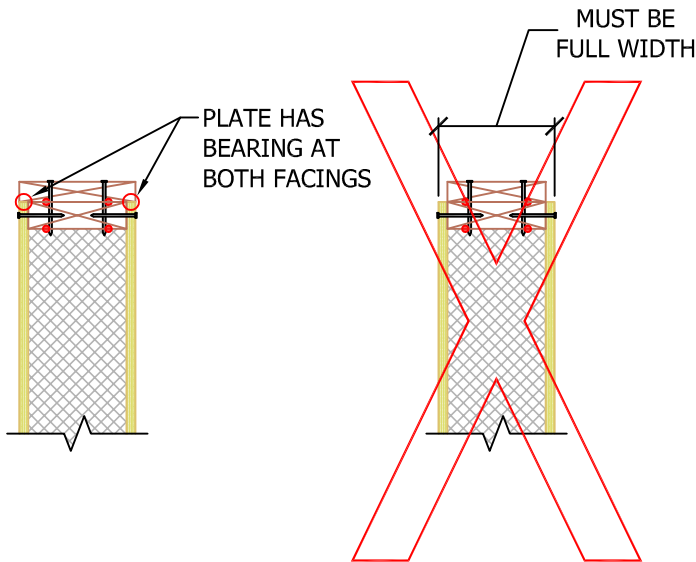
BOTH SIP WALL FACINGS MUST HAVE FULL BEARING. EXTERIOR FACING MUST NOT HANG OVER EDGE OF FLOOR SYSTEM OR OTHER BEARING.



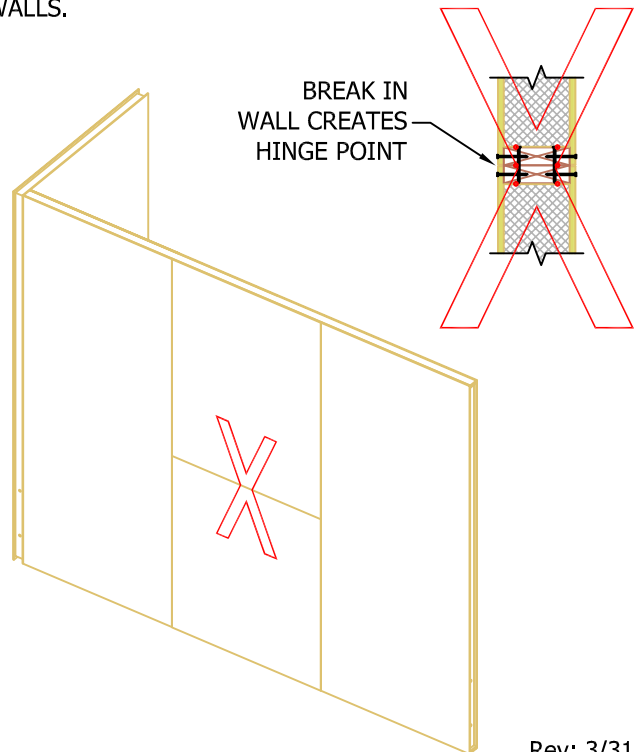
BOTH SIP WALL FACINGS CANNOT COME IN DIRECT CONTACT WITH CONCRETE. THERE MUST BE A CAPILLARY BREAK BETWEEN CONCRETE AND BOTH SIP FACINGS.



CAP PLATES INSTALLED TO TOP OF SIP WALL MUST BE FULL WIDTH OF SIP.



DO NOT HAVE UNSUPPORTED HORIZONTAL JOINTS IN WALL UNLESS SPECIFIC CONDITION IS DESIGNED BY A LICENSED STRUCTURAL ENGINEER. I.E. DON'T STACK WALLS.



N.T.S.

Rev: 3/31/2022

