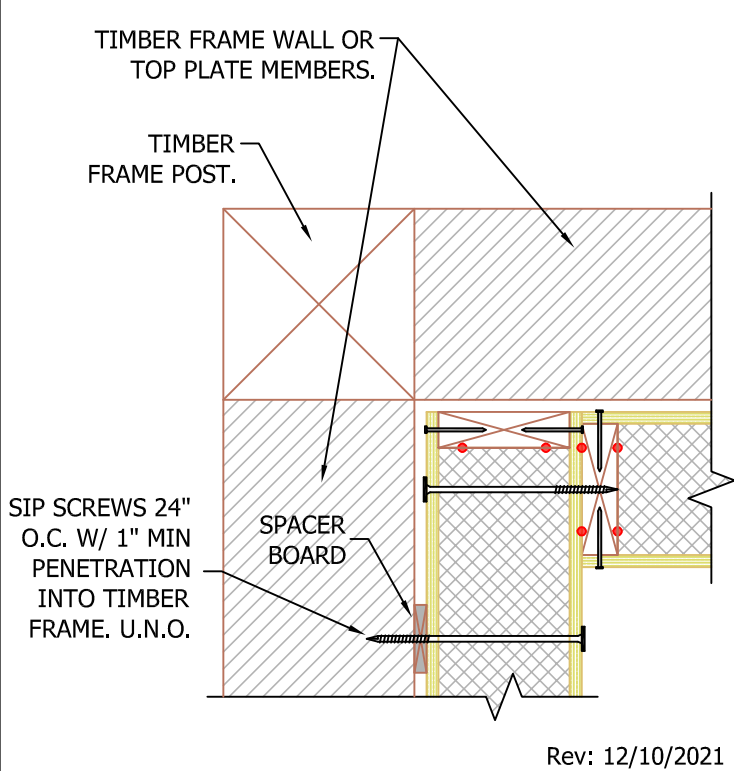
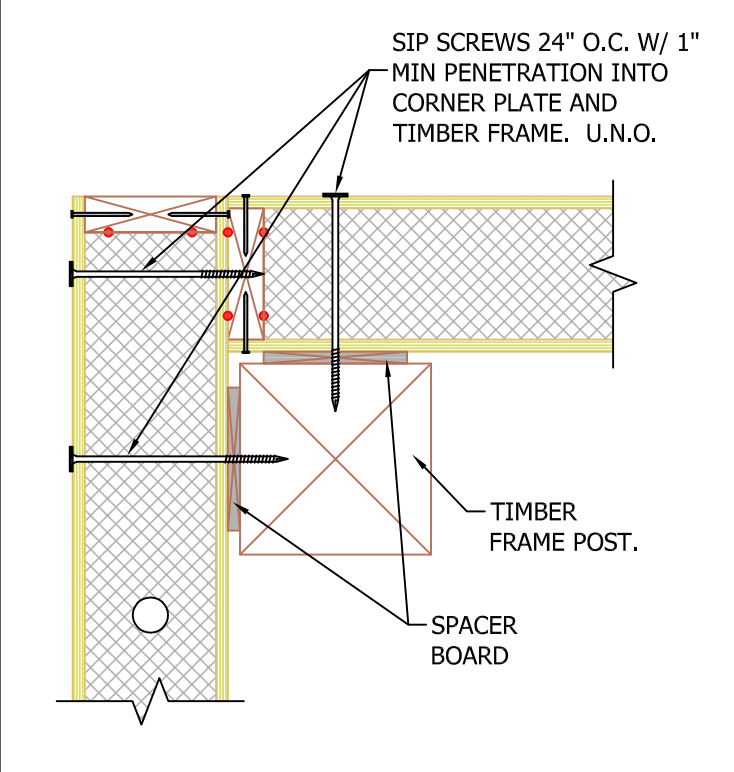
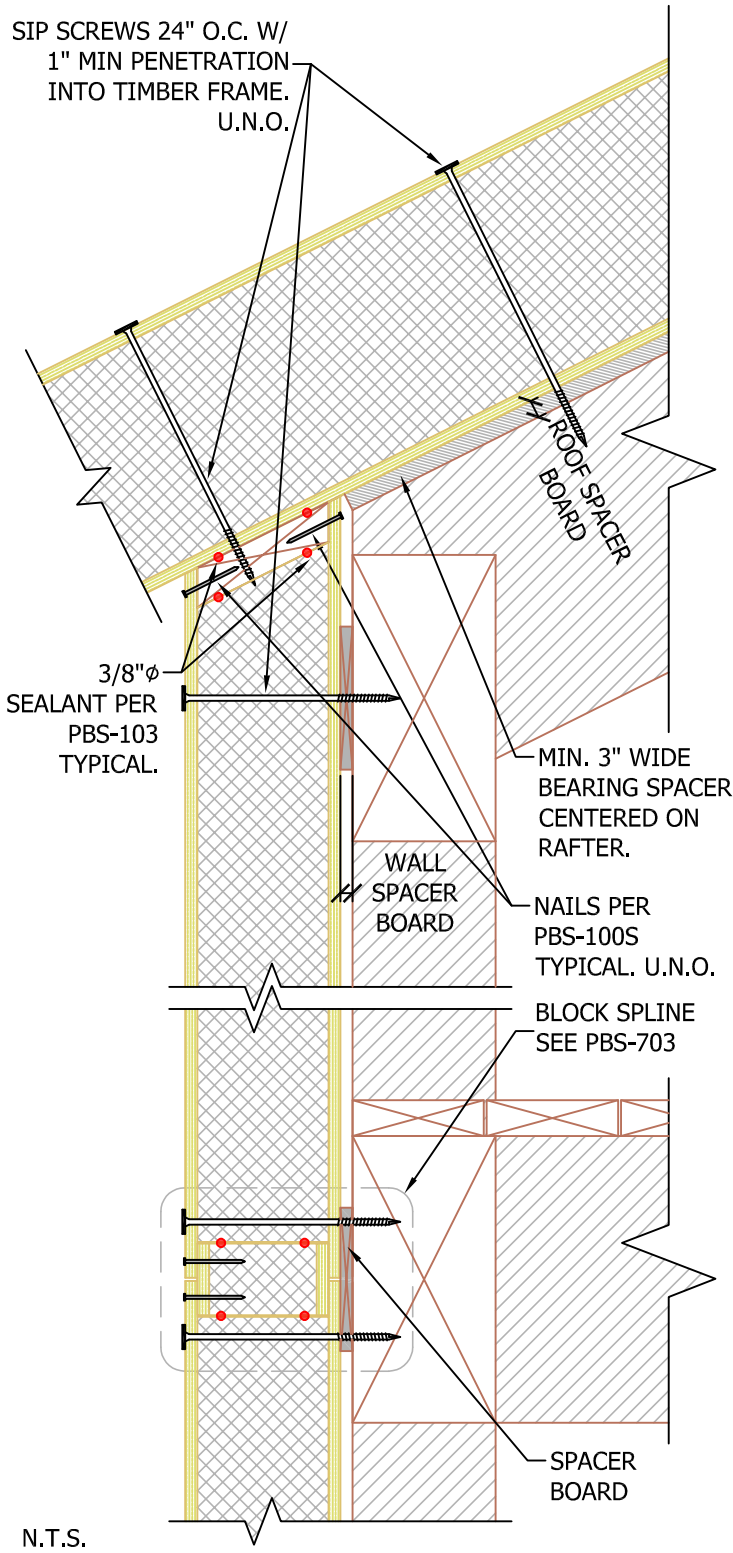


**NOTES:**

1. SIP TAPE MAY BE IMPOSSIBLE TO APPLY IN TIMBER FRAME APPLICATIONS. CONSULT A BUILDING DESIGN PROFESSIONAL FOR SPECIFICATION OF AN ALTERNATE VAPOR BARRIER.
2. A SPACER BOARD MATCHING DEPTH OF INTERIOR FINISH MAY BE USED BETWEEN TIMBER FRAME AND SIP SO THAT FINISH CAN BE TUCKED IN BETWEEN FRAME AND SIP FACING.



Rev: 12/10/2021