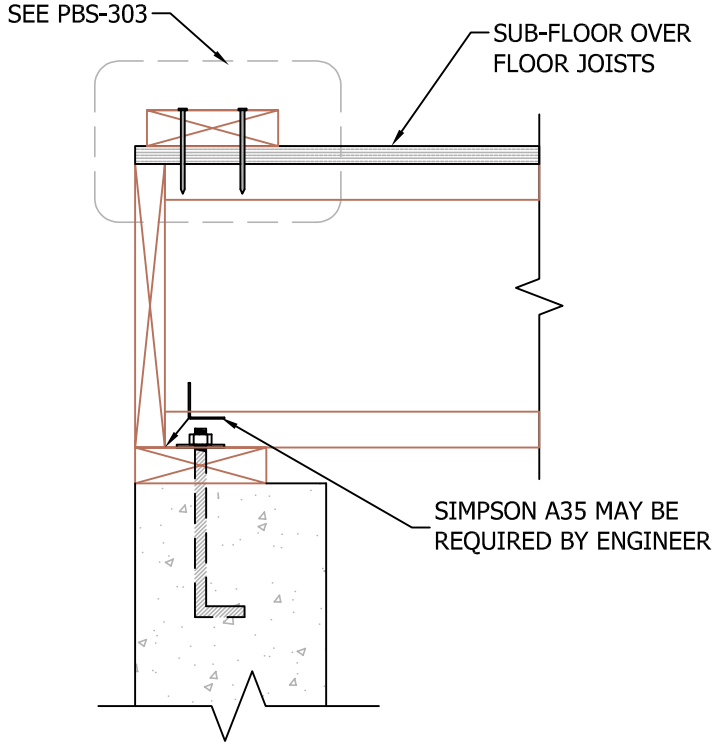
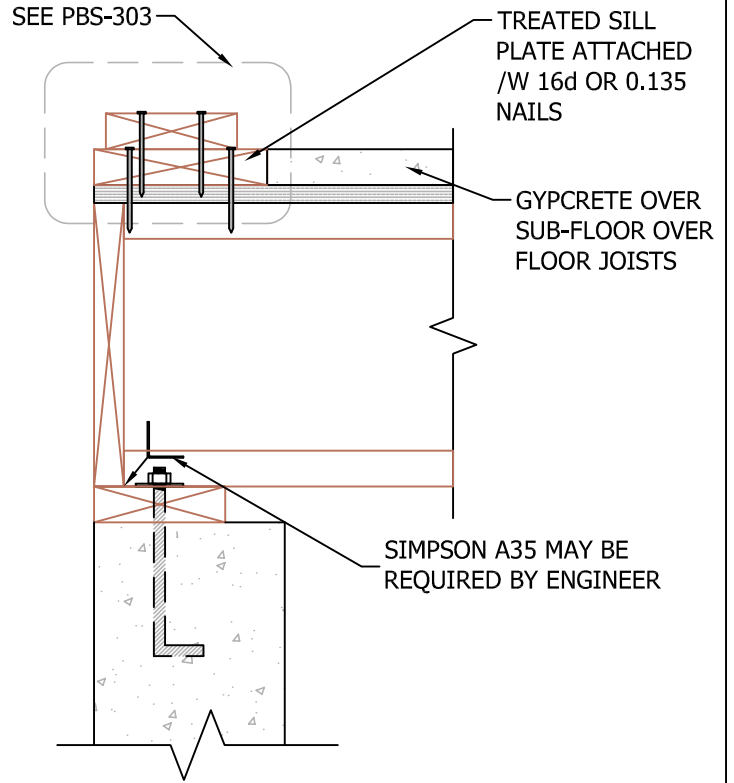


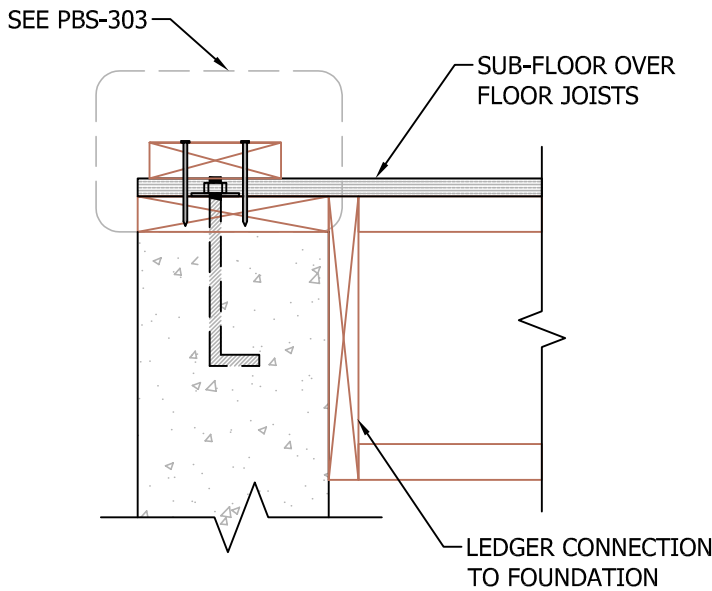
A: CONVENTIONAL FLOOR SYSTEM



B: CONVENTIONAL FLOOR W/ GYPCRETE

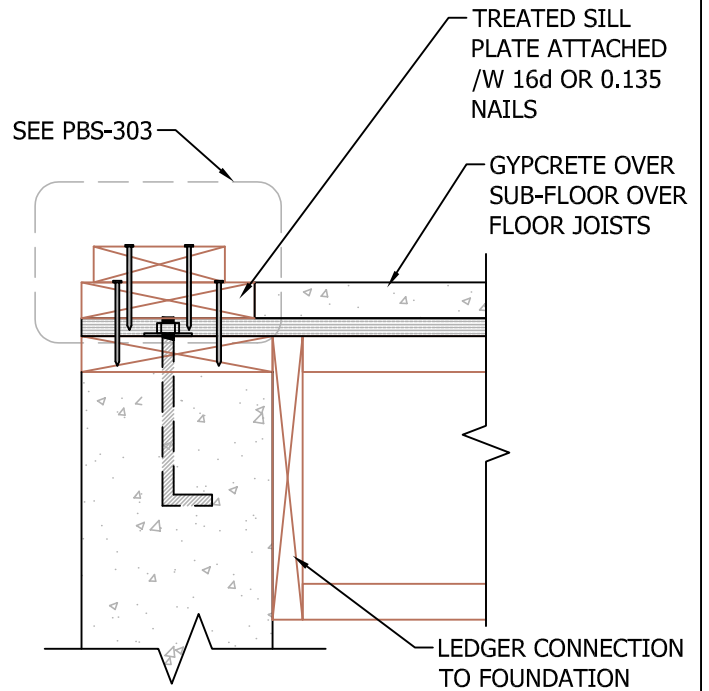


C: HANGING FLOOR SYSTEM



N.T.S.

D: HANGING FLOOR SYSTEM W/ GYPCRETE



Rev: 12/10/2021

PBS-304A-D

BOTTOM PLATE
FLOOR JOIST TO CONCRETE

