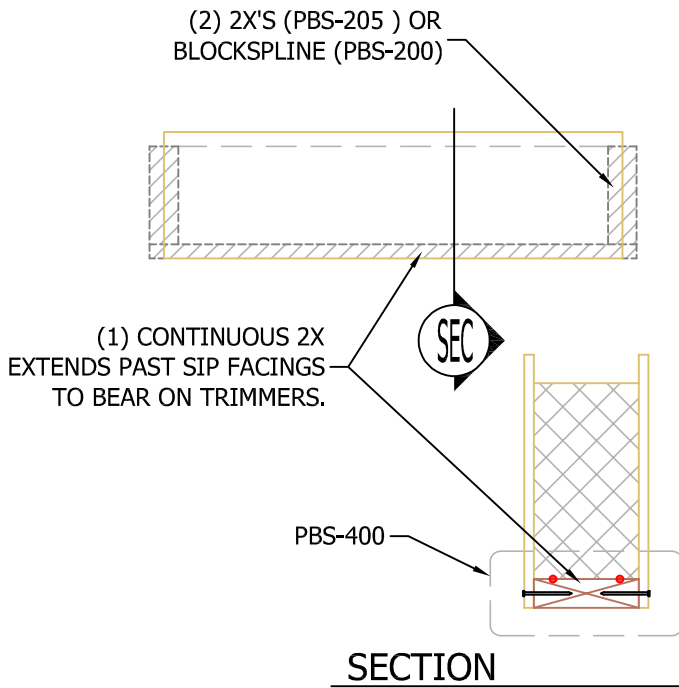
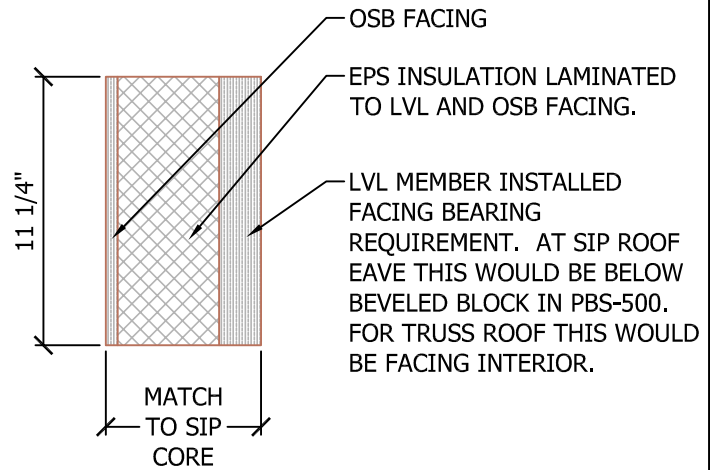


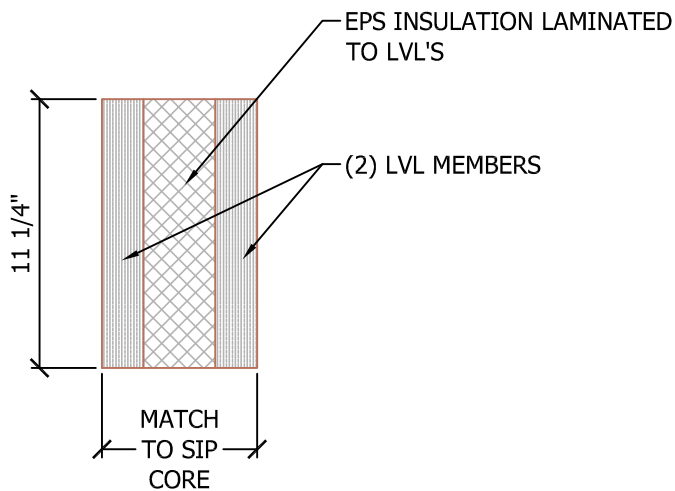
SIP HEADER: SIP AS A STRUCTURAL HEADER.
SEE PBS-407 OR PBS-408 FOR ASSEMBLY SEQUENCE.



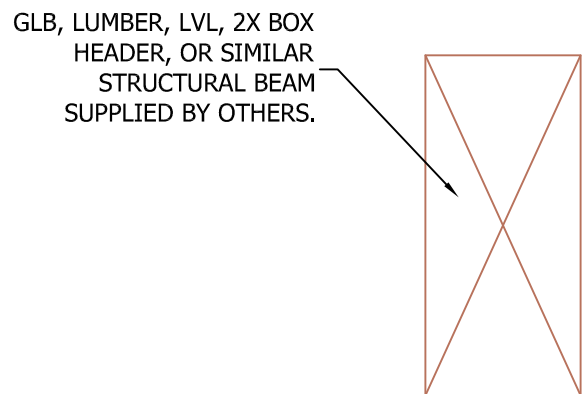
IHDR-1 PLY: INSULATED HEADER (1) PLY LVL.
SEE PBS-407 OR PBS-408 FOR ASSEMBLY SEQUENCE.



IHDR-2 PLY: INSULATED HEADER (2) PLY LVL.
SEE PBS-407 OR PBS-408 FOR ASSEMBLY SEQUENCE.



HBO: HEADER BY OTHERS.
SEE PBS-407 OR PBS-408 FOR ASSEMBLY SEQUENCE.



N.T.S.

Rev: 12/10/2021

PBS-411

HEADER ASSEMBLIES

