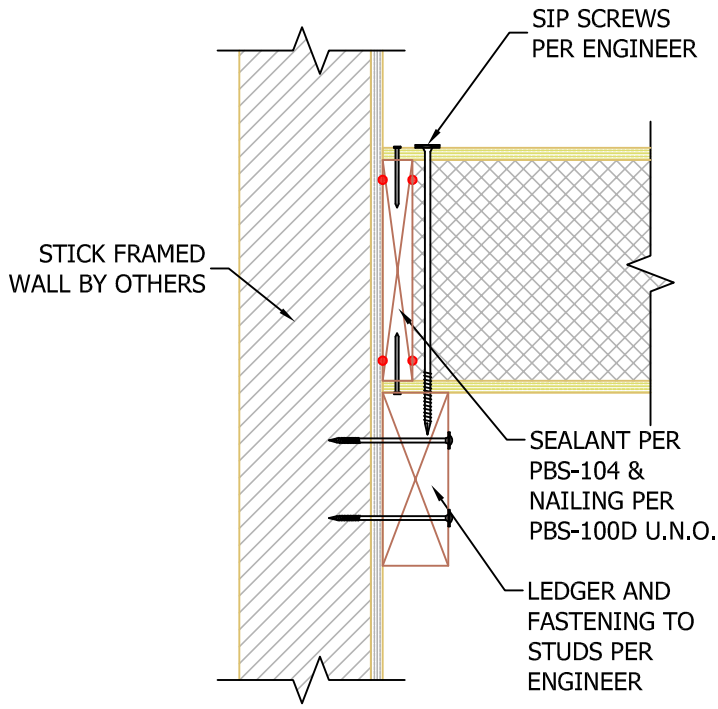
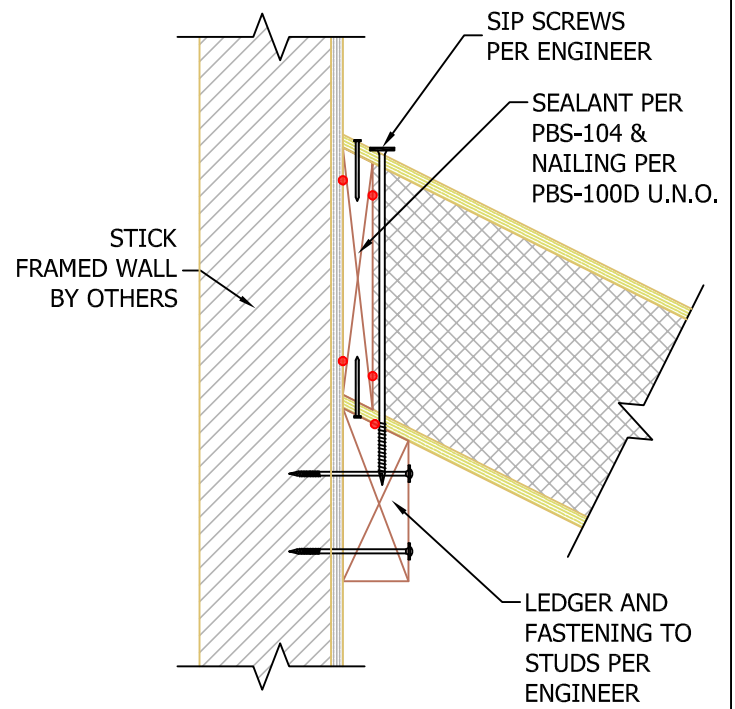


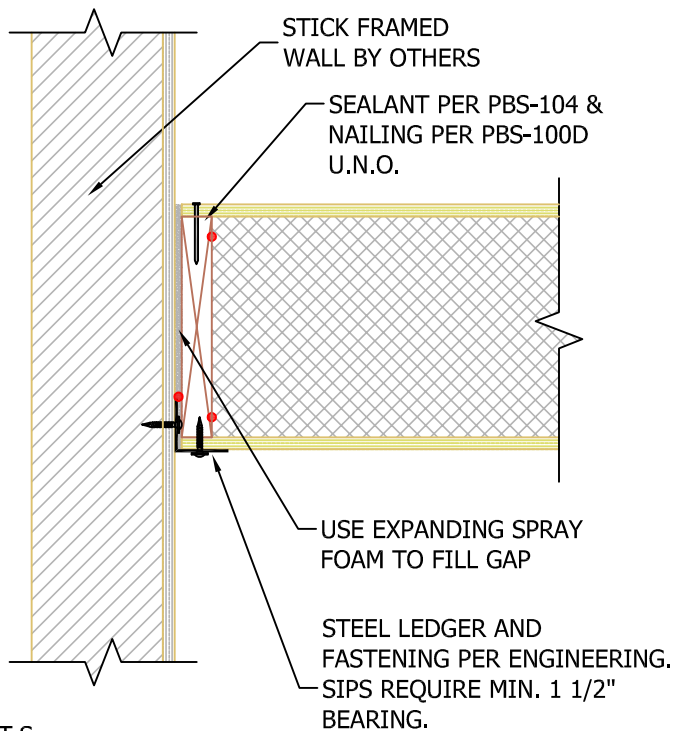
### OPTION A:



### OPTION B:

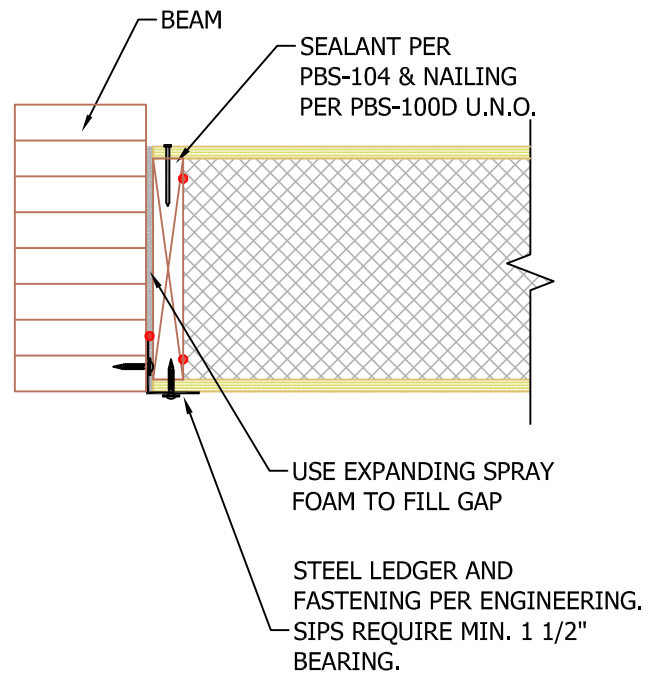


### OPTION C:



N.T.S.

### OPTION D:



Rev: 12/10/2021

PBS-510

LEDGER DETAILS  
STICK WALL

