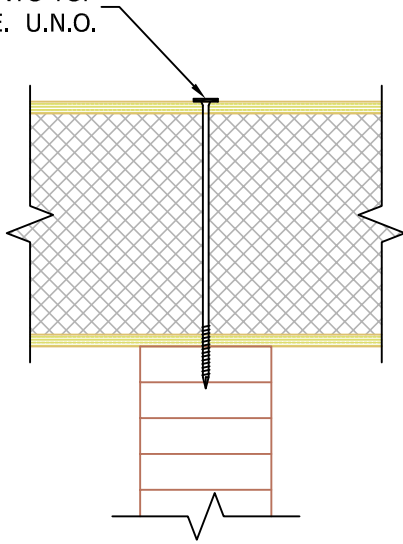


## OPTION A:

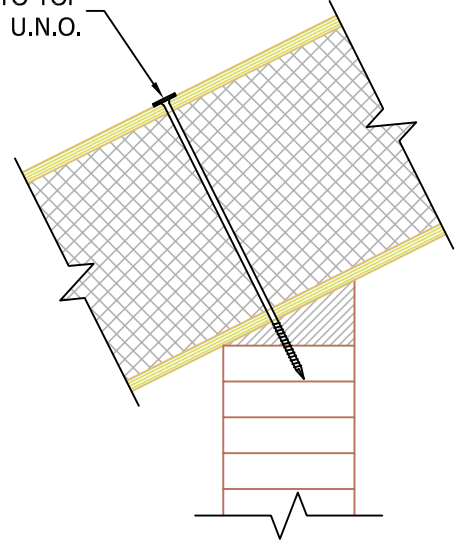
SIP SCREWS PER  
PBS-100D W/ 1" MIN  
PENETRATION INTO TOP  
PLATE. U.N.O.



STRUCTURAL SUPPORT TO PROVIDE 1 1/2" MIN.  
BEARING FOR SIP

## OPTION B:

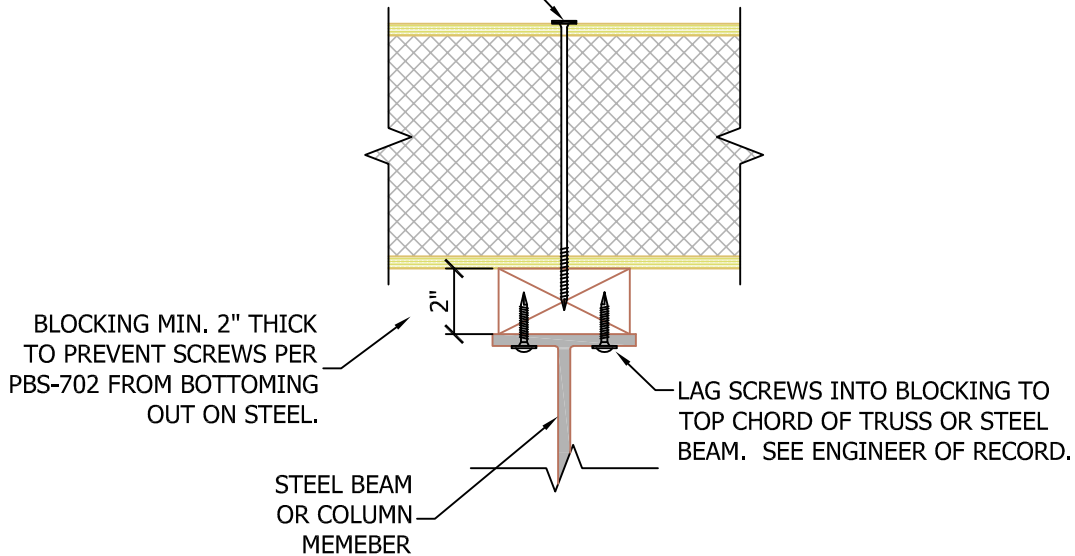
SIP SCREWS PER  
PBS-100D W/ 1" MIN  
PENETRATION INTO TOP  
PLATE. U.N.O.



STRUCTURAL SUPPORT TO PROVIDE 1 1/2" MIN.  
BEARING FOR SIP

## OPTION C:

SIP SCREWS PER  
PBS-100D W/ 1" MIN  
PENETRATION INTO TOP  
PLATE. U.N.O.



STRUCTURAL SUPPORT TO PROVIDE 1 1/2" MIN.  
BEARING FOR SIP

N.T.S.

Rev: 12/10/2021

PBS-600A-C

SIP BEARING CONDITIONS  
CONTINUOUS SIP

**PREMIER**  
**SIPS**