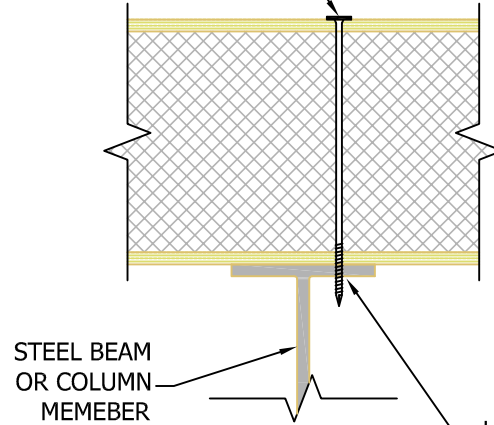


# OPTION D:

SIP SCREWS PER  
PBS-100D W/ FULL  
THREAD PENETRATION  
INTO STEEL. U.N.O.



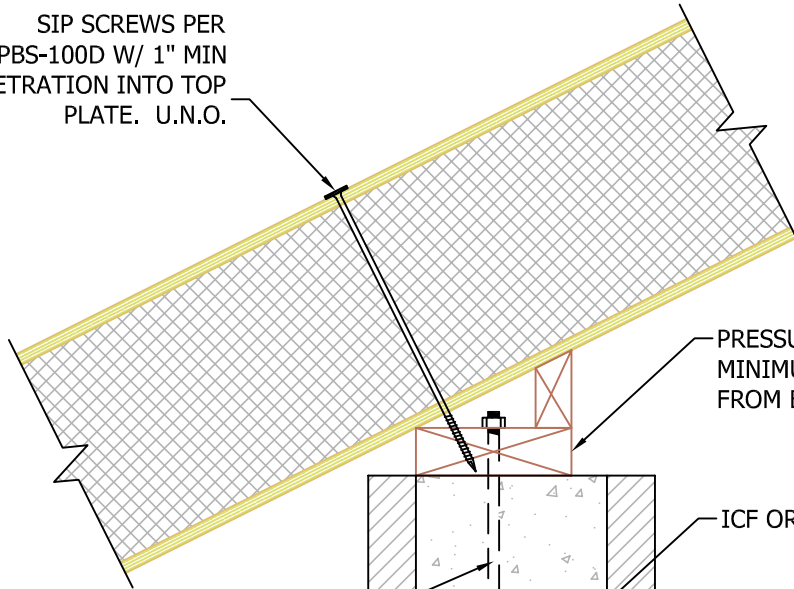
STEEL BEAM  
OR COLUMN  
MEMEBER

USE SELF TAPPING  
SIP SCREWS

STRUCTURAL SUPPORT TO PROVIDE 1 1/2" MIN.  
BEARING FOR SIP

# OPTION E:

SIP SCREWS PER  
PBS-100D W/ 1" MIN  
PENETRATION INTO TOP  
PLATE. U.N.O.



PRESSURE TREATED TOP PLATE  
MINIMUM 2" THICK TO PREVENT SCREWS  
FROM BOTTOMING OUT ON CONCRETE.

ICF OR CONCRETE WALL

ANCHOR BOLTS AS  
REQUIRED BY CODE U.N.O.  
IN SHEAR WALL SCHEDULE.

STRUCTURAL SUPPORT TO PROVIDE 1 1/2" MIN.  
BEARING FOR SIP

N.T.S.

Rev: 12/10/2021

PBS-600D-E SIP BEARING CONDITIONS  
CONTINUOUS SIP

