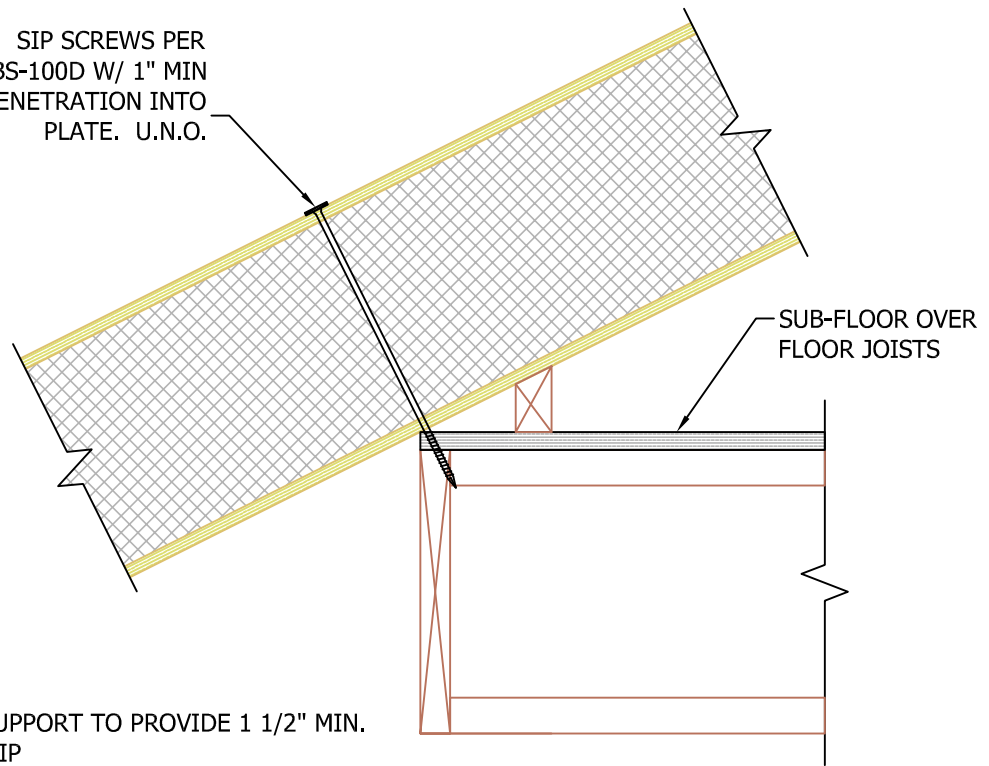


OPTION F:

SIP SCREWS PER
PBS-100D W/ 1" MIN
PENETRATION INTO
PLATE. U.N.O.



STRUCTURAL SUPPORT TO PROVIDE 1 1/2" MIN.
BEARING FOR SIP

OPTION G:

SIP SCREWS PER
PBS-100D W/ 1" MIN
PENETRATION INTO
PLATE. U.N.O.

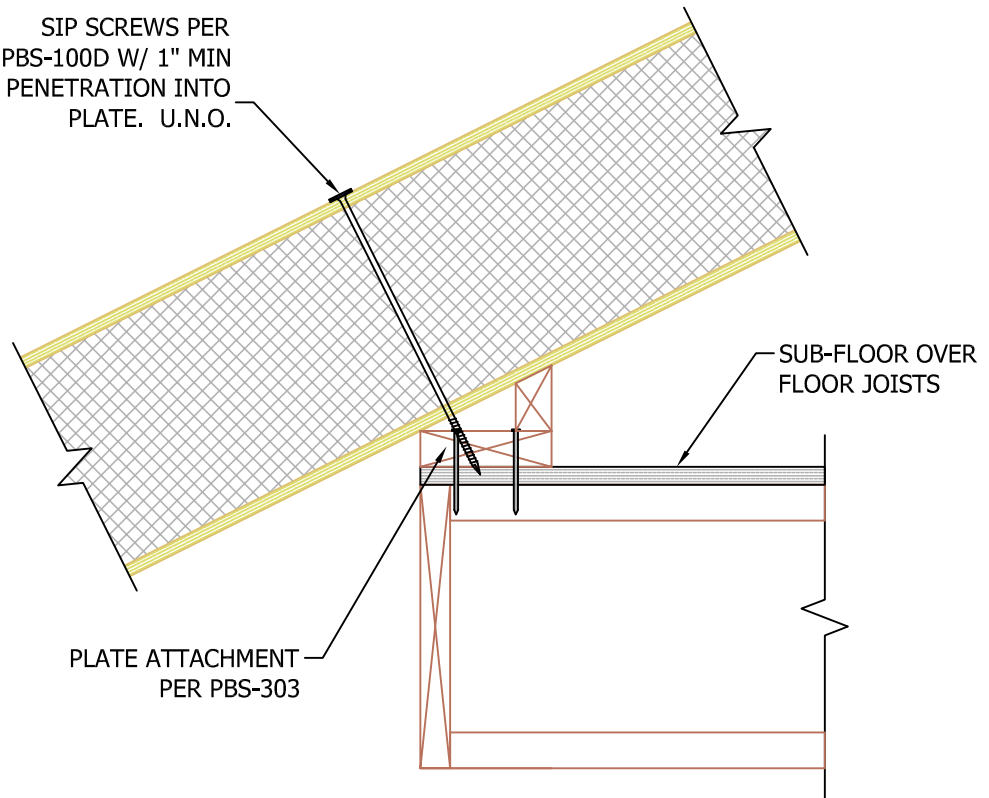


PLATE ATTACHMENT
PER PBS-303

STRUCTURAL SUPPORT TO PROVIDE 1 1/2" MIN.
BEARING FOR SIP

N.T.S.

Rev: 12/10/2021

PBS-600F-G

SIP BEARING CONDITIONS
CONTINUOUS SIP

