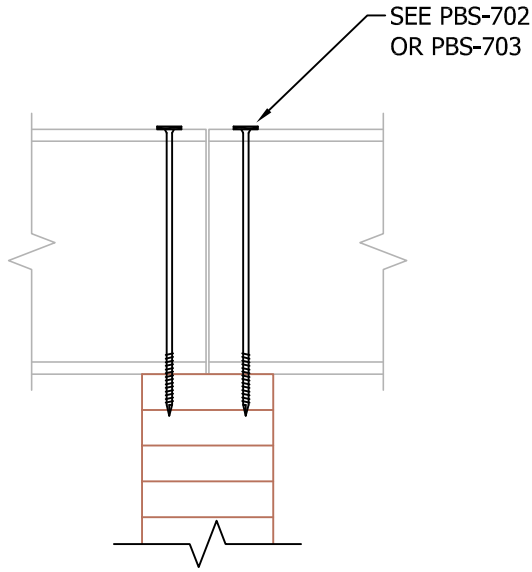
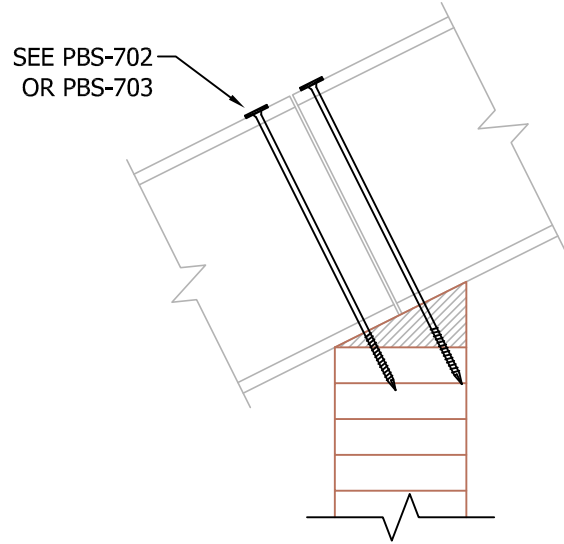


OPTION A:



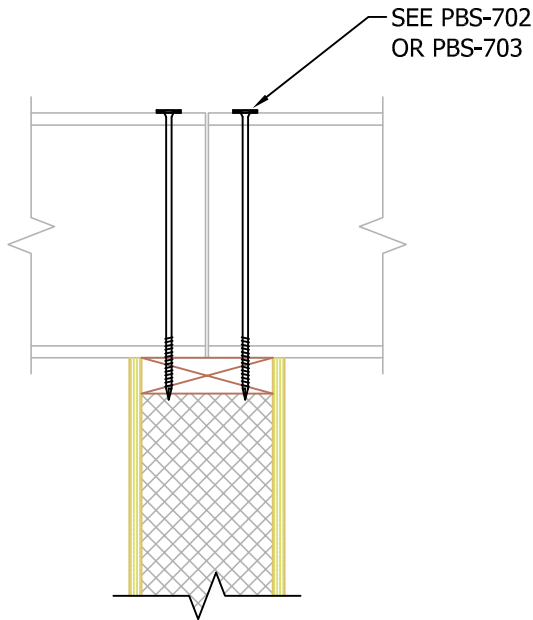
STRUCTURAL SUPPORT MIN. 3" WIDE TO PROVIDE
1 1/2" MIN. BEARING FOR EACH ROOF SIP

OPTION B:



STRUCTURAL SUPPORT MIN. 3" WIDE TO PROVIDE
1 1/2" MIN. BEARING FOR EACH ROOF SIP

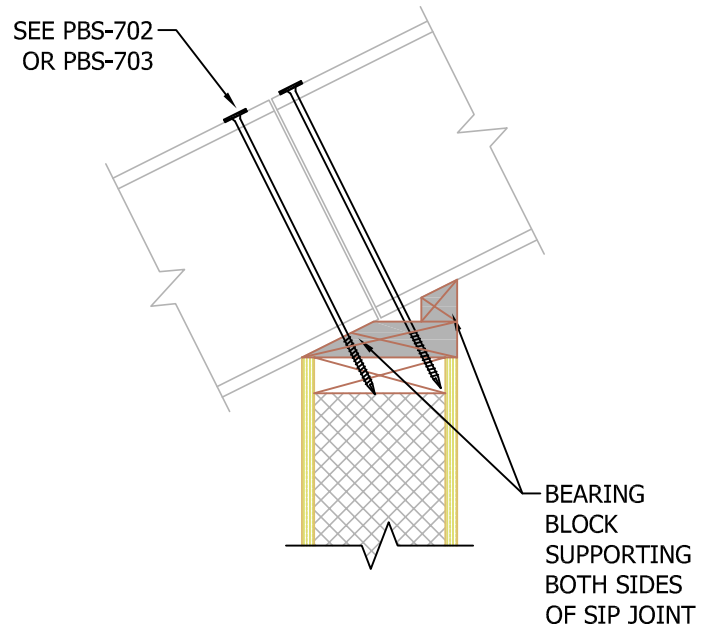
OPTION C:



STRUCTURAL SUPPORT MIN. 3" WIDE TO PROVIDE
1 1/2" MIN. BEARING FOR EACH ROOF SIP

N.T.S.

OPTION D:



STRUCTURAL SUPPORT MIN. 3" WIDE TO PROVIDE
1 1/2" MIN. BEARING FOR EACH ROOF SIP

Rev: 12/10/2021

PBS-601A-D

SIP BEARING CONDITIONS
SIP JOINT

