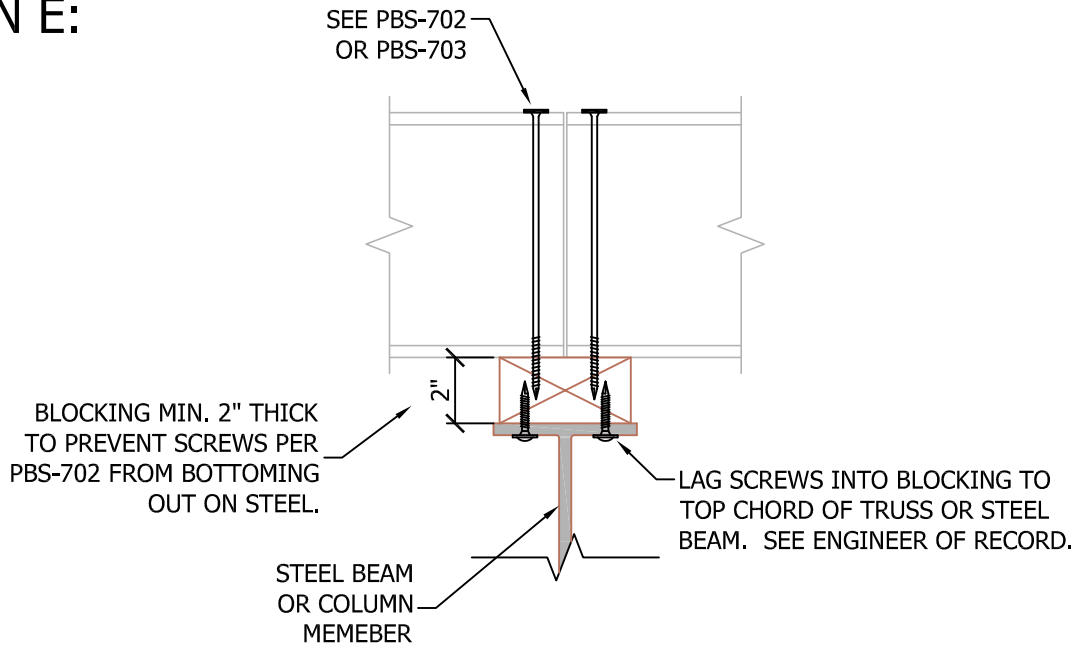
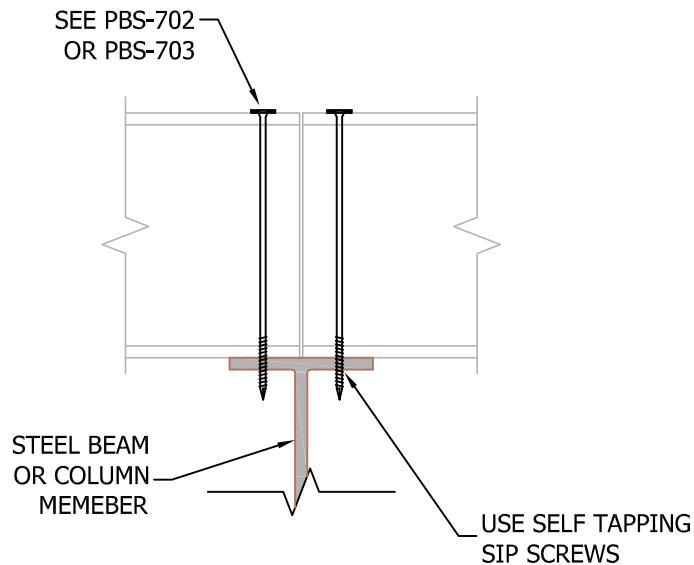


OPTION E:



STRUCTURAL SUPPORT MIN. 3" WIDE TO PROVIDE
1 1/2" MIN. BEARING FOR EACH ROOF SIP

OPTION F:



STRUCTURAL SUPPORT MIN. 3" WIDE TO PROVIDE
1 1/2" MIN. BEARING FOR EACH ROOF SIP

N.T.S.

Rev: 12/10/2021

PBS-601E-F

SIP BEARING CONDITIONS
SIP JOINT

PREMIER
SIPS